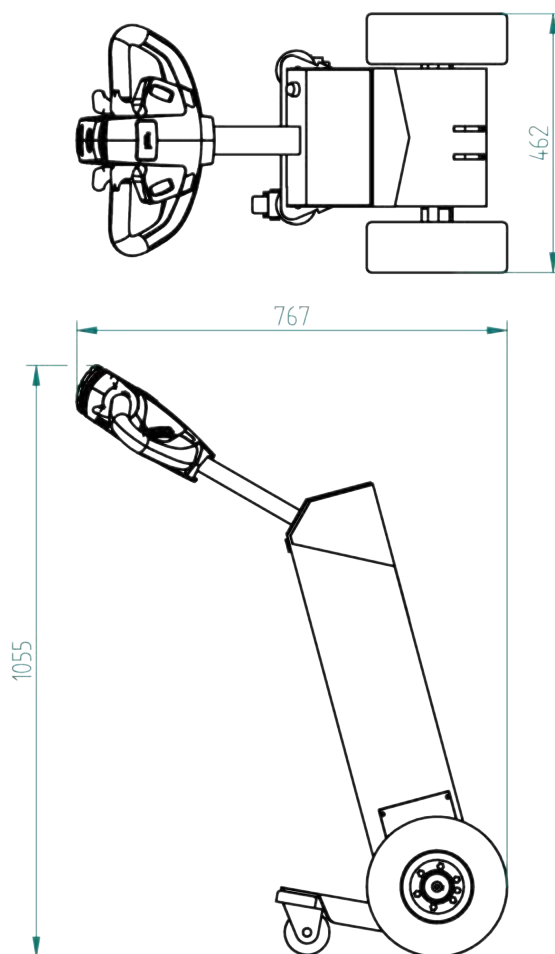




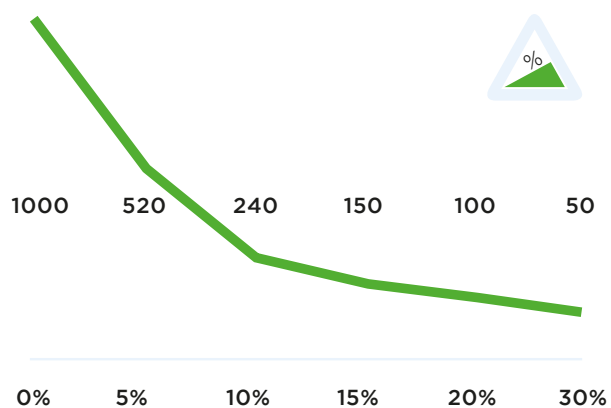
Specifications T1000-CLEAN ROOM

Frame	Stainless steel, glass pearl blasted
Drive	24V DC, 300W, 100 rpm
Weight	43 kg
Weight trailer	Max. 1000 kg
Battery	Built in
Speed	Max. 5 km/h, freely programmable
Drive wheels	Non marking full rubber ø250x80 mm
Width	462mm
Length	767mm
Adze height	1055mm
Folded	N/A
Noise level	63,8 dB
To use from	-40 °C / 70 °C
Protection class	Machine IP44

Dimensions T1000-CLEAN ROOM



Pulling power T1000-CLEAN ROOM (in kg)



*Measured with a trolley with 2 swivelwheels and 2 fixed castors. Wheel diameter: 160mm

Standard T1000-CLEAN ROOM



Standard parts T1000-CLEAN ROOM

LED battery indicator
LBF318-24V



Item number:
M0123

Battery charger 24V-
5A builtin with exte



Item number:
M0246

Non-marking driving
wheel (full-rubber)



Item number:
M0249

Safety switch



Item number:
Standardpart 2

2 programmable
speeds



Item number:
Standardpart 3

Standard parts T1000-CLEAN ROOM

Motor T1000, without
brake



Item number:
M1032

Battery 12V 20 Ah



Item number:
M0076

Options T1000-CLEAN ROOM



**SURCHARGE Engine
420W-140RPM+BRA-
KE**

Article number:
OPT0030



**SURCHARGE Engine
530W-170RPM+BRA-
KE**

Article number:
OPT0031



**Electromagnetic par-
king brake T1000**

Article number:
OPT0004



**Horn with control on
bellybutton**

Article number:
OPT0049



Horn 103 dB

Article number:
OPT0059



**Emergency stop
complete**

Article number:
OPT0063

Strobelight



Article number:
OPT0065



**Bellybutton 2-step
reset**

*After bellybutton use off/
on switch is necessary*

Article number:
OPT0168

**Acoustic signal while
driving**



Article number:
OPT0253

**Acoustic signal dri-
ving backwards**



Article number:
OPT0254

**On/off switch machi-
ne**



Article number:
OPT0016

**Document holder
with clip**



Article number:
OPT0053

Options T1000-CLEAN ROOM

hour counter complete



Article number:
OPT0056

Antistatic strip



Article number:
OPT0058

Code lock



Article number:
OPT0068

Preparation electric hook



Article number:
OPT0143

Ignition key unequal key



Article number:
OPT0145

Ignition key equal key



Article number:
OPT0146

Ignition key under larger tiller head



Unequal key. Only with OPT0171

Article number:
OPT0147

Ignition key under larger tiller head



Equal key. Only with OPT0171

Article number:
OPT0148

Customized programming



Article number:
OPT0170

Larger Tiller-Head



With 6 switch positions

Article number:
OPT0171

Programmer for Ital-sea



Article number:
D0003

U-Frame for waste container 1000/1100L



Article number:
OPT0088

Options T1000-CLEAN ROOM

Hook Straightener



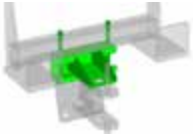
Article number:
OPT0012

Lifting module for Hooks stainless steel



Article number:
OPT0050-RVS

Support for exchangeable hook



Article number:
OPT0122

Basemodule, spring, bolt en counterplate



Article number:
OPT0202

Jacket Movexx size M



Article number:
OPT0197

Jacket Movexx size L



Article number:
OPT0198

Jacket Movexx size XL



Article number:
OPT0199

Movexx Parking label



Article number:
OPT0245



Movexx International B.V.

Wiltonstraat 61-63

3905 KW Veenendaal

Tel +31 (0)318 51.99.00

Fax +31 (0)318 50.80.20

E-mail info@movexx.nl