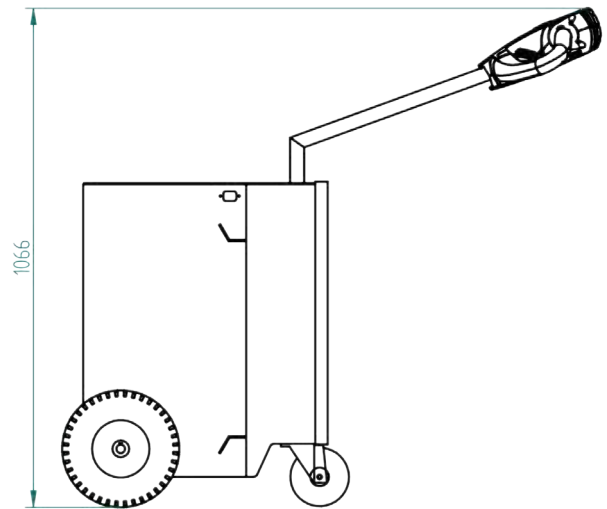
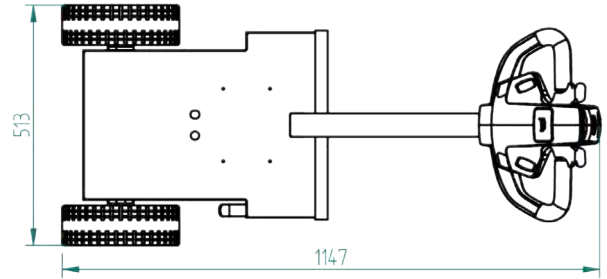




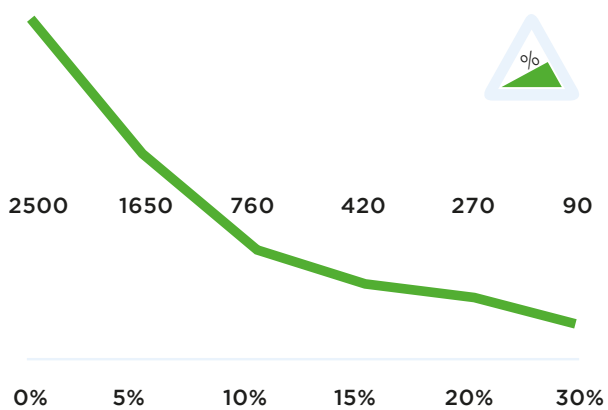
Specifications T2500-CLEAN ROOM

Frame	Stainless steel, glass pearl blasted
Drive	24V DC, 600W, 100 rpm
Weight	250 kg
Weight trailer	2500 kg
Battery	Built in, 24V, 75 Ah
Speed	Max. 4,7 km/h
Drive wheels	Non marking full rubber ø250x80 mm
Width	513mm
Length	1147mm
Adze height	1066mm
Folded	N/A
Noise level	68,5 dB
To use from	-40 °C / 70 °C
Protection class	Machine IP44

Dimensions T2500-CLEAN ROOM



Pulling power T2500-CLEAN ROOM (in kg)



*Measured with a trolley with 2 swivelwheels and 2 fixed castors. Wheel diameter: 160mm

Standard T2500-CLEAN ROOM



Standard parts T2500-CLEAN ROOM

Battery 12V-75A



Item number:
M2102

**Built-in charger
24V-10A with feed-
back**



Item number:
M2134

**Non-marking driving
wheel (full-rubber)**



Item number:
M0249

Safety switch



Item number:
Standardpart 2

**2 programmable
speeds**



Item number:
Standardpart 3

Standard parts T2500-CLEAN ROOM

**Engine 600W
100RPM BRAKE
6911413X**



Item number:
M2098

**LED battery indicator
LBF318-24V**



Item number:
M0123

Options T2500-CLEAN ROOM



Horn with controll on bellybutton

Article number:
OPT0049



Horn 103 dB

Article number:
OPT0059



Emergency stop complete

Article number:
OPT0063



Strobelight

Article number:
OPT0065



Bellybutton 2-step reset

After bellybutton use off/on switch is necessary

Article number:
OPT0168



Acoustic signal while driving

Article number:
OPT0253



Acoustic signal driving backwards

Article number:
OPT0254



Document holder with clip

Article number:
OPT0053



hour counter complete

Article number:
OPT0056



Antistatic strip

Article number:
OPT0058



Code lock

Article number:
OPT0068



Preparation electric hook

Article number:
OPT0143

Options T2500-CLEAN ROOM



Ignition key unequal key

Article number:
OPT0145



Ignition key equal key

Article number:
OPT0146



Ignition key under larger tiller head

*Unequal key. Only with
OPT0171*

Article number:
OPT0147



Ignition key under larger tiller head

*Equal key. Only with
OPT0171*

Article number:
OPT0148



Customized programming

Article number:
OPT0170



Larger Tiller-Head

With 6 switch positions

Article number:
OPT0171



Programmer for Ital-sea

Article number:
D0003



U-Frame for waste container 1000/1100L

Article number:
OPT0088



Basic hook High

Article number:
H7080



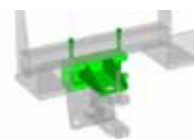
Hook Straightener

Article number:
OPT0012



Lifting module for Hooks stainless steel

Article number:
OPT0050-RVS



Support for exchangeable hook

Article number:
OPT0122

Options T2500-CLEAN ROOM



Electrical locking module for hook

Article number:
OPT0129



Basemodule, spring, bolt en counterplate

Article number:
OPT0203



Jacket Movexx size M

Article number:
OPT0197



Jacket Movexx size L

Article number:
OPT0198



Jacket Movexx size XL

Article number:
OPT0199



Movexx Parking label

Article number:
OPT0245



Movexx International B.V.

Wiltonstraat 61-63

3905 KW Veenendaal

Tel +31 (0)318 51.99.00

Fax +31 (0)318 50.80.20

E-mail info@movexx.nl