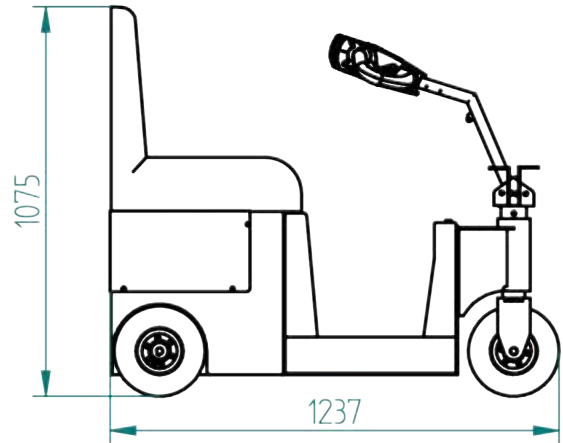
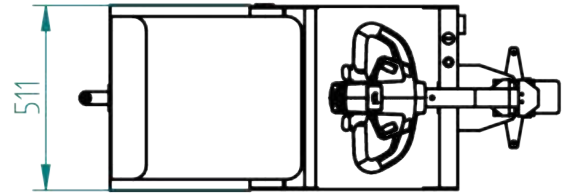




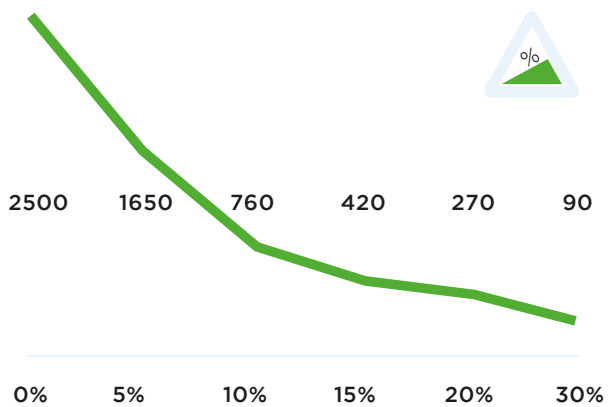
Specifications T2500-SCOOTER

Frame	Steel, powder coated
Drive	24V DC, 800W, 170 rpm
Weight	300 kg
Weight trailer	2500 kg
Battery	Built in, 24V, 75Ah
Speed	Max. 8,0 km/h
Drive wheels	Full rubber ø250x80 mm
Width	511mm
Length	1237mm
Adze height	1075mm
Folded	N/A
Noise level	68,5 dB
To use from	-40 °C / 70 °C
Protection class	Machine IP44

Dimensions T2500-SCOOTER



Pulling power T2500-SCOOTER (in kg)



**Measured with a trolley with 2 swivelwheels and 2 fixed castors. Wheel diameter: 160mm*

Standard T2500-SCOOTER



Standard parts T2500-SCOOTER

**Built-in charger
24V-10A with feed-
back**



Item number:
M2134

**Full-rubber drive
wheel, black**



Item number:
M0248

Adjustable tillerhead



Item number:
Standardpart 1

**2 programmable
speeds**



Item number:
Standardpart 3

Standard parts T2500-SCOOTER

**Engine 750W
140RPM BRAKE
6911463X**



Item number:
M2515

Battery 12V-75A



Item number:
M2102

Options T2500-SCOOTER



**SURCH driving wheel
full rubber nm GREY**

Article number:
OPT0161



**SURCHARGE wheel
full rubber non-mar-
king**

Article number:
OPT0162



**SURCHARGE driving
wheel non-marking
YELL**

Article number:
OPT0163



**SURCHARGE wheel
non-marking YEL-
LOW**

Article number:
OPT0164



**Horn with controll on
bellybutton**

Article number:
OPT0049



Horn 103 dB

Article number:
OPT0059



**Emergency stop
complete**

Article number:
OPT0063



Strobelight

Article number:
OPT0065



**Safety fender for
steering wheel**

Wheel Shield

Article number:
OPT0079



**LED lighting white
incl switch**

Article number:
OPT0105



**Strobelights in front
of Scooter**

Article number:
OPT0118



**Strobelight on pole
T2500**

Article number:
OPT0119

Options T2500-SCOOTER



Mirror with telesc. arm (left)

Article number:
OPT0132



Mirror with telesc. arm right-hand

Article number:
OPT0133



Blue Safety spot

Article number:
OPT0251



Acoustic signal while driving

Article number:
OPT0253



Acoustic signal driving backwards

Article number:
OPT0254



Light Blue Spot Safety light

Article number:
M0961



On/off switch machine

Article number:
OPT0016



Document holder with clip

Article number:
OPT0053



hour counter complete

Article number:
OPT0056



Antistatic strip

Article number:
OPT0058



Code lock

Article number:
OPT0068



LED lighting red incl switch

Article number:
OPT0093

Options T2500-SCOOTER



**Front bumper
T2500-Plat-
form+Scooter**

Article number:
OPT0125



**Preparation electric
hook**

Article number:
OPT0143



**Ignition key unequal
key**

Article number:
OPT0145



**Ignition key equal
key**

Article number:
OPT0146



**Ignition key under
larger tiller head**

*Unequal key. Only with
OPT0171*

Article number:
OPT0147



**Ignition key under
larger tiller head**

*Equal key. Only with
OPT0171*

Article number:
OPT0148



**Customized program-
ming**

Article number:
OPT0170



Larger Tiller-Head

With 6 switch positions

Article number:
OPT0171



**Programmer for Ital-
sea**

Article number:
D0003



**Charging station incl.
1 battery pack**

Incl. 1 Accupack

Article number:
OPT0071



**U-Frame for waste
container 1000/1100L**

Article number:
OPT0088



**Adaptor fo 2 wheel
bin's**

Article number:
OPT0151

Options T2500-SCOOTER



Folding Hook, diameter 16

Article number:
H0128-D16



Folding Hook, diameter 20

Article number:
H0128-D20



Folding Hook, diameter 25

Article number:
H0128-D25



Folding Hook, diameter 32

Article number:
H0128-D32



Folding Hook, diameter 35

Article number:
H0128-D35



Basic hook

Article number:
H7070



Basic hook High

Article number:
H7080



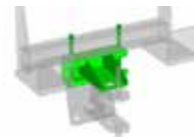
Electric lifting module for Hooks

Article number:
OPT0050



Folding hook for flower trolleys

Article number:
OPT0099



Support for interchangeable hook

Article number:
OPT0122



Electrical locking module for hook

Article number:
OPT0129



Automatic trailer coupling

Article number:
OPT0200

Options T2500-SCOOTER



**Basemodule, spring,
bolt en counterplate**

Article number:
OPT0203



Jacket Movexx size M

Article number:
OPT0197



Jacket Movexx size L

Article number:
OPT0198



**Jacket Movexx size
XL**

Article number:
OPT0199



Movexx Parking label

Article number:
OPT0245



Movexx International B.V.

Wiltonstraat 61-63

3905 KW Veenendaal

Tel +31 (0)318 51.99.00

Fax +31 (0)318 50.80.20

E-mail info@movexx.nl